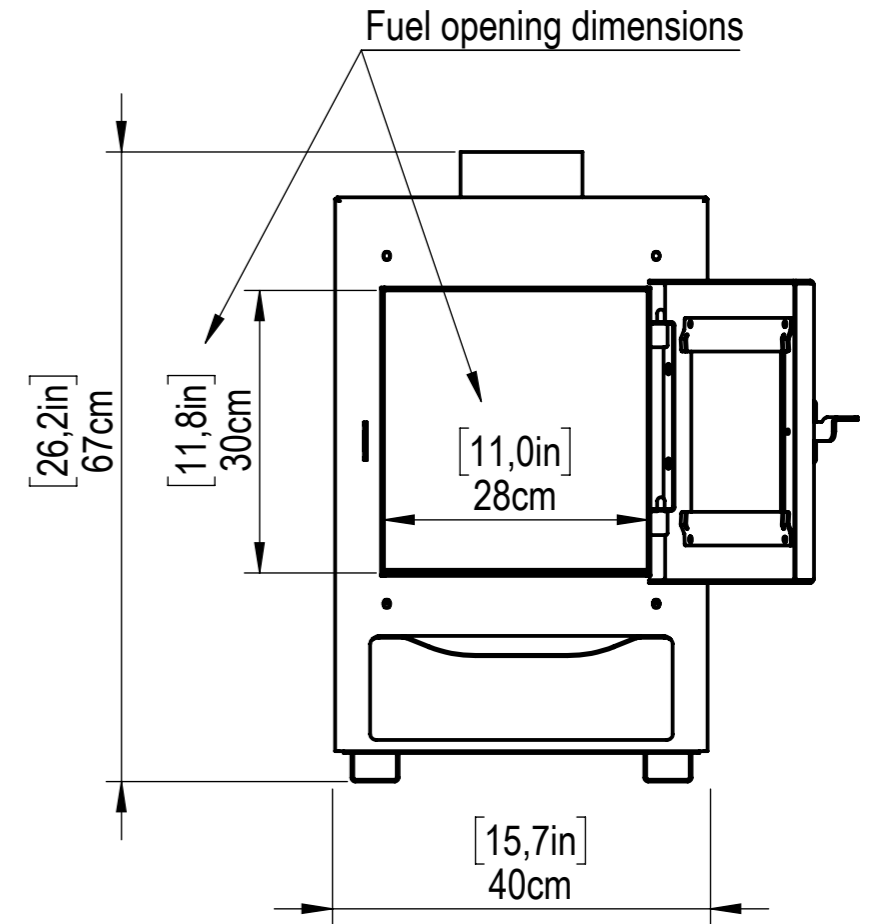
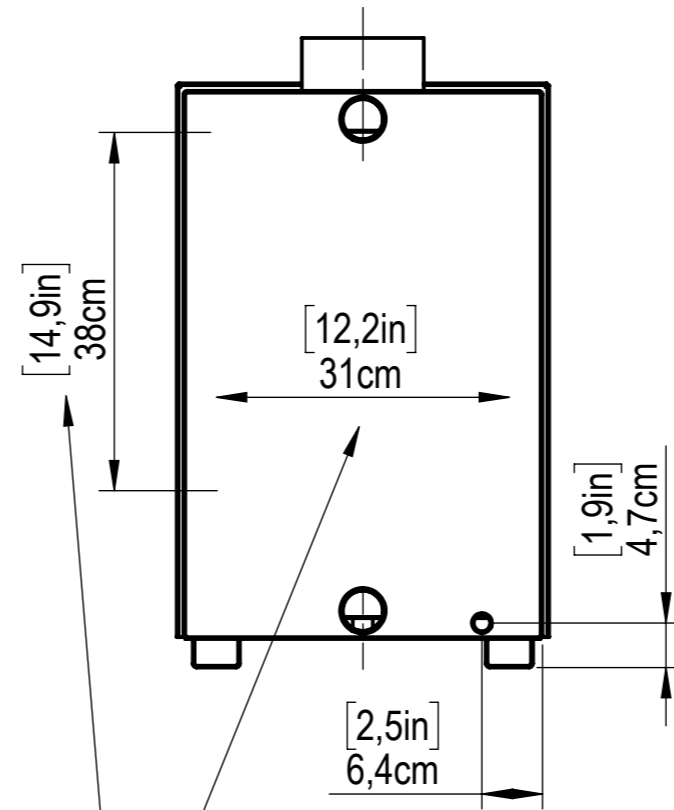
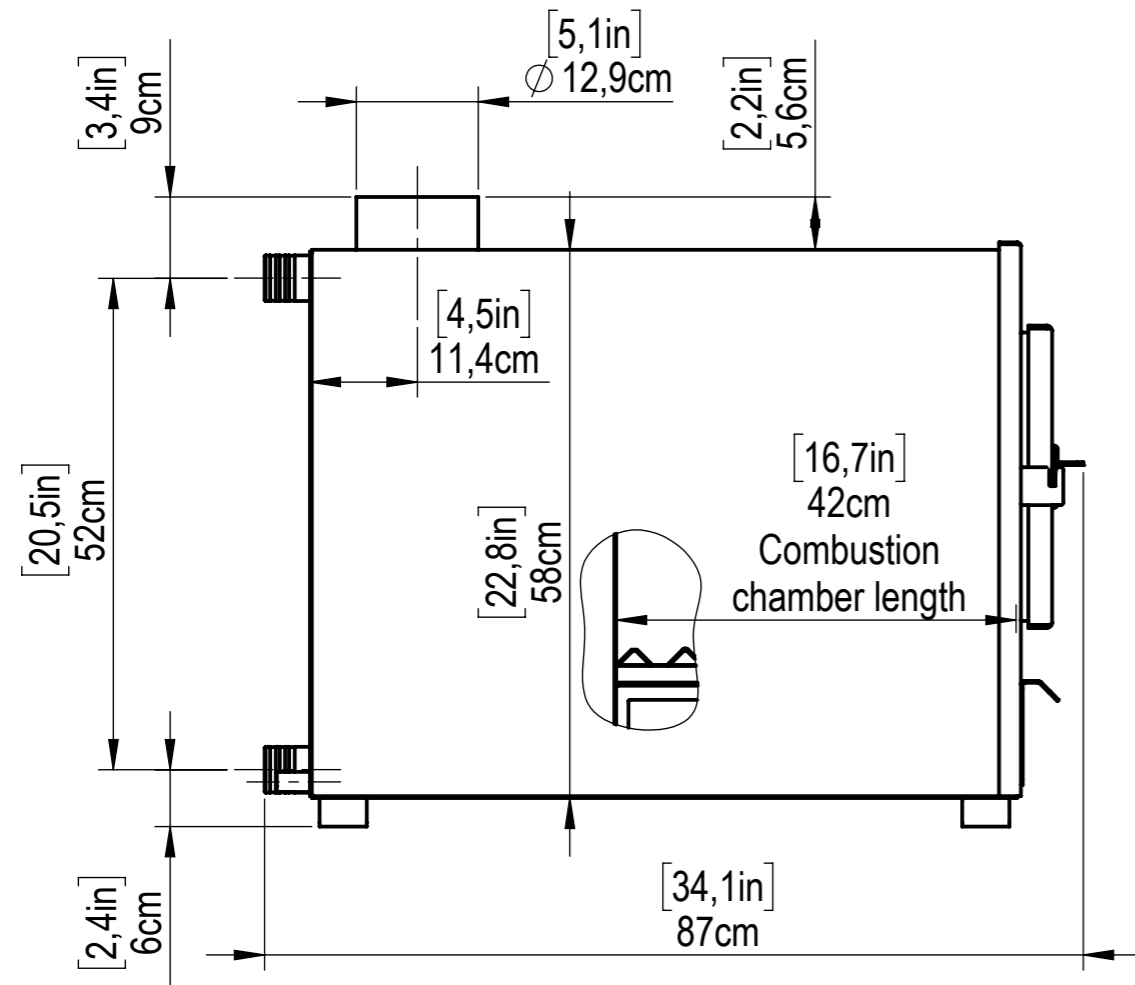


BFTS-75, 28kW



Combustion chamber cross-section dimensions

